
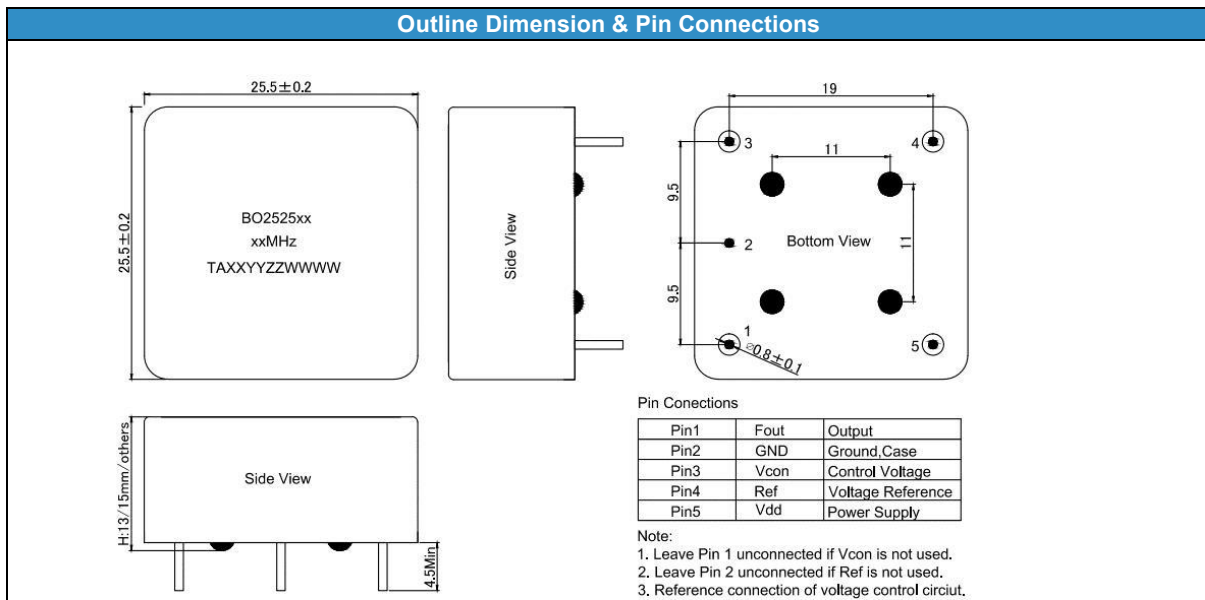
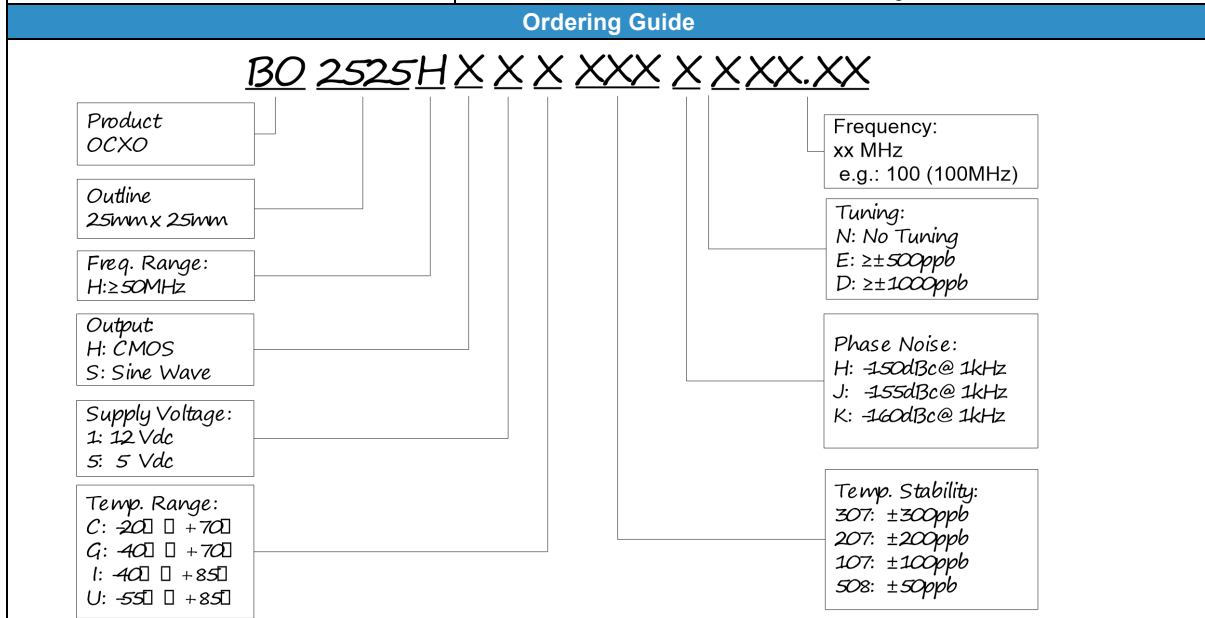


Features				Applications		
<ul style="list-style-type: none"> <li>● Ultra Stable</li> <li>● Wide Temperature Range</li> <li>● DIP(25mm*25mm)</li> </ul>				<ul style="list-style-type: none"> <li>● Base Stations</li> <li>● Instrumentations</li> <li>● Synthesizer</li> <li>● Medical Electronics</li> </ul>		
						
BO2525H Series Specifications						
Parameter	Value			Unit	Condition	
	Min.	Typ.	Max.			
Supply Voltage	-	5.0	-	V	Vcc±5%	
	-	12.0	-	V	Vcc±5%	
Power Consumption	-	-	4.0	W		
	-	-	1.5	W		
Frequency Range	50 ~ 120			MHz		
Nominal Frequency	50, 80,100, 120			MHz		
Initial Frequency Tolerance	-	-	±300	ppb	At shipment, nominal EFC	
Freq. Stability Vs. Temp.	±50	-	±100	ppb	-40°C ~ +70°C	
	±100	-	±200	ppb	-40°C ~ +85°C	
	±200	-	±500	ppb	-55°C ~ +85°C	
Sine Wave	Output Level	7	-	-	dBm	
	Harmonics	-	-	-40	dBc	
	Spurious	-	-	-80	dBc	
	Load	-	50	-	Ω	
HCMOS	V <sub>OH</sub>	2.4	-	-	V	HCMOS Output, Load=15pf
	V <sub>OL</sub>	-	-	0.4	V	HCMOS Output, Load=15pf
	Duty Cycle	45	-	55	%	(V <sub>OH</sub> - V <sub>OL</sub> )/2
	Rise/Fall edge	-	-	6	ns	HCMOS Output, Load=15pf
	Load	-	15	-	pf	
Short-term Stability@100MHz	-	-	1×10 <sup>-11</sup>	ppb/s	Test after 15 Min.	
Warm-up Time	0	-	5	Min	At +25°C, with accuracy of ±100ppb	
Supply Sensitivity	-	-	±5	ppb	Vcc±5%	
Load Sensitivity	-	-	±5		Load±5%	
Aging per Day	-	-	±2		After 30 days of operation	
Aging per Year	-	-	±200		After 30 days of operation	
SSB Phase Noise @100MHz	-	-	-100	dBc/Hz	Offset 10Hz	At +25°C, Sinewave
	-	-	-135		Offset 100Hz	
	-	-	-160		Offset 1kHz	
	-	-	-170		Offset 10kHz	
	-	-	-173		Offset 100kHz	
Control Voltage Range	0	-	5	V		
Frequency Tuning Range	±0.5	-	±2.0	ppm		
Tuning Slope	Positive					
Environmental Conditions						
Operating Temperature Range	-55°C~+85°C					
Storage Temperature Range	-55°C~+125°C					



### Reliability

Parameter	Condition
Temperature Stress Test	IEC60068, GJB360B
Mechanical Stress Test	IEC60068, GJB360B
EMC Test (ESD)	IEC61000, JESD22
Solderability	EIA/JESD22-B102-C
RoHS	RoHS Directive 2011/65/EU Annex II Recasting 2002/95/EC



**Example:** BO2525HS1C508HN100

**Disclaimer**  
 Xtaltq Technologies Co., Limited reserves the right to make changes to the product(s) and/or information contained herein without notice. No liability is assumed as a result of their use or application. No rights under any patent accompany the sale of any such product(s) or information.